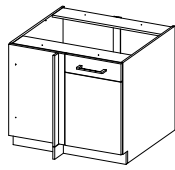
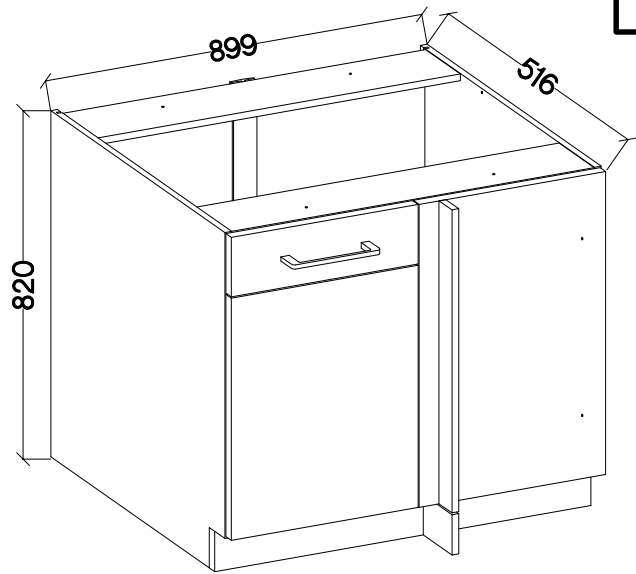
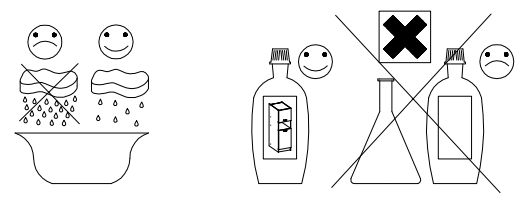
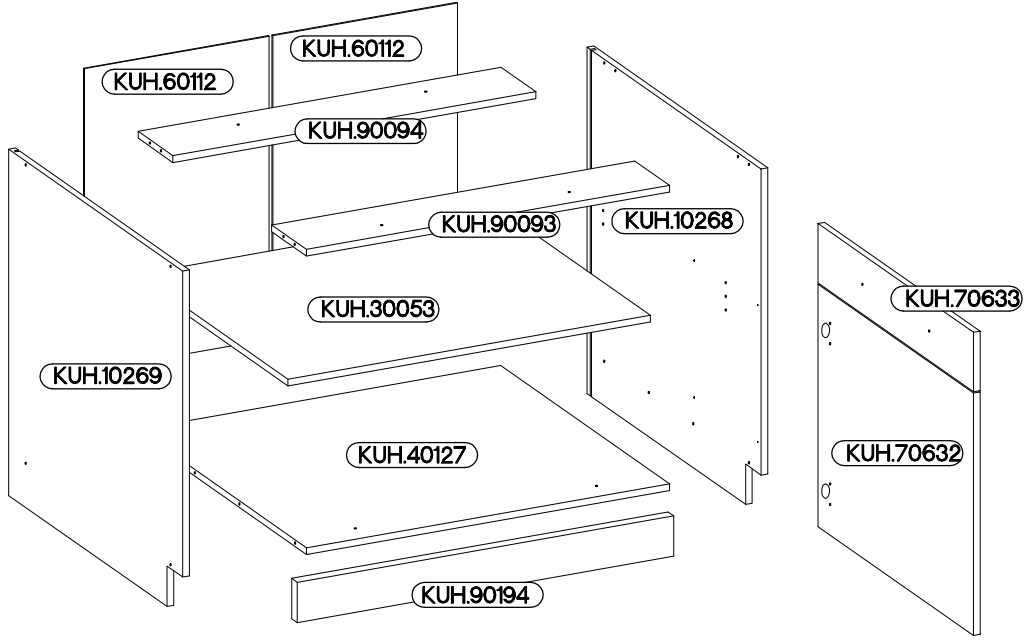
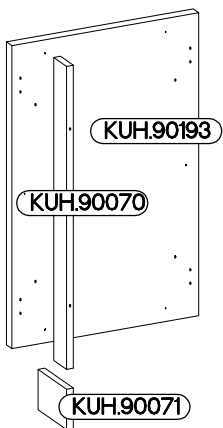


105 ND BB



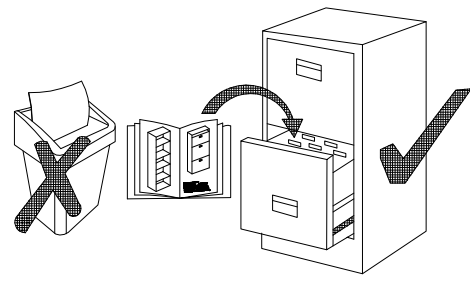
max. 10kg  
 KUH.30053  
 KUH.40127



Ersatzteil Nummer	Dimension
KUH.10268	815x500x16
KUH.10269	815x500x16
KUH.30053	866x430x16
KUH.40127	867x485x16
KUH.60112 x2	713x441x2,5
KUH.70632	446x140x16
KUH.70633	445x570x16
KUH.90070	713x37x16
KUH.90071	82x95x16
KUH.90093	867x100x16
KUH.90094	867x100x16
KUH.90193	713x446x16
KUH.90194	899x95x16


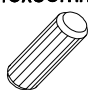
†8x30mm	6,4 x 50mm	†6,4x35mm
A	B	B†
8	8	2

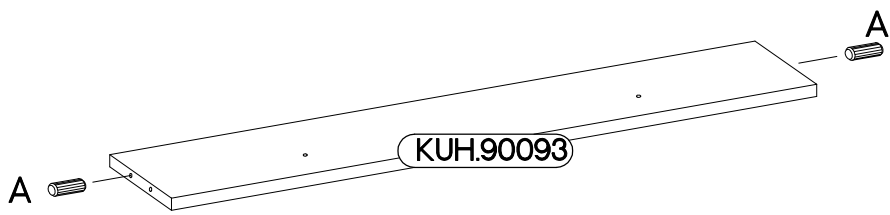
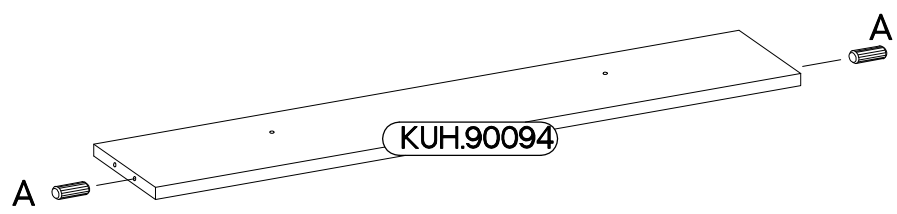
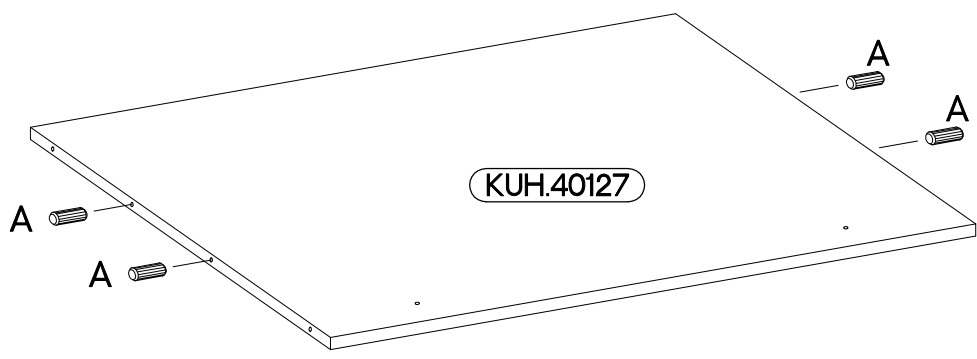
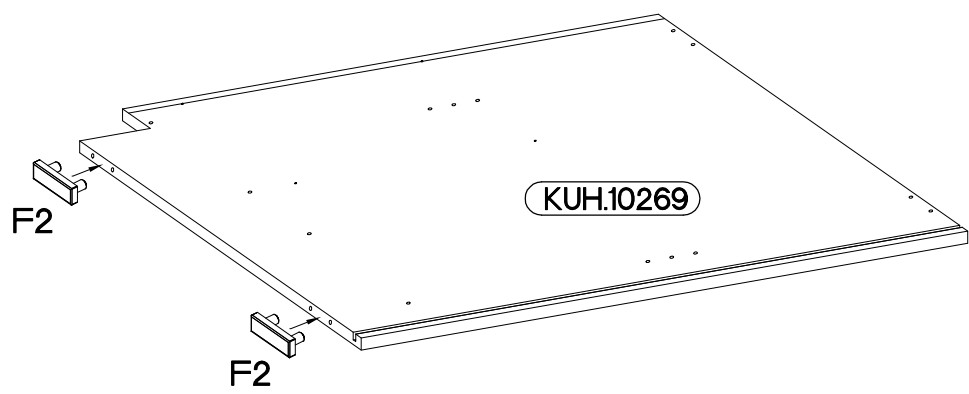
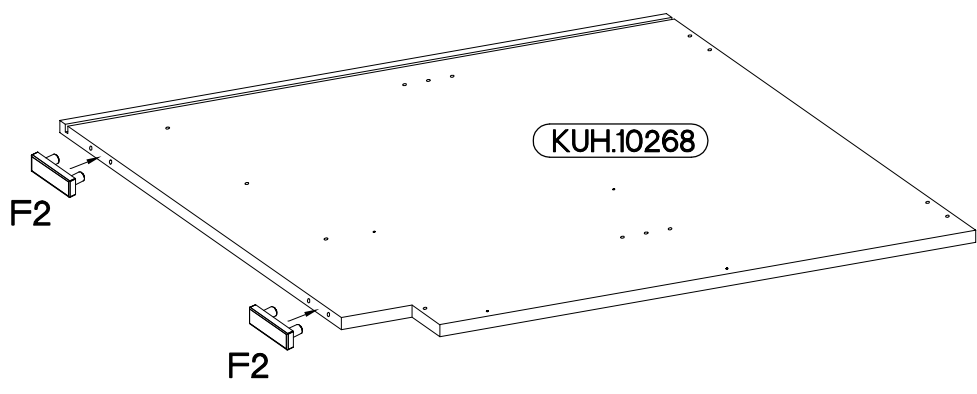
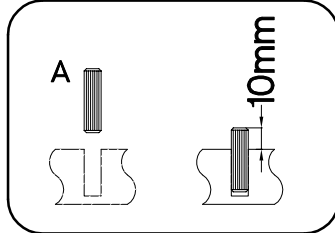
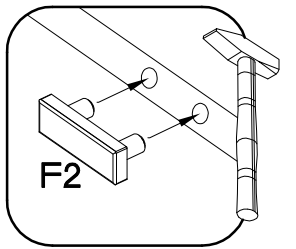
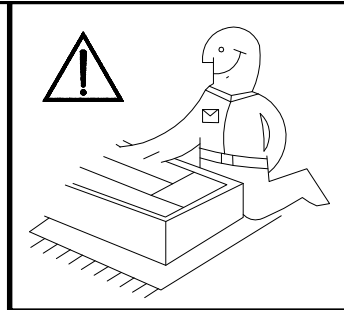
8	2	4	2	4	2	1	1	1
†4.0x16mm	†4.0x45mm	†3.5x13mm	†3.0x20mm	†4.0x35mm	L=192mm			L1=680mm
10	2	16	15-20	4	1	5	2	2



ISM-KUH-02161

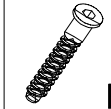
1

6.5x48x16  F2 4	+8x30mm  A 8
--	---



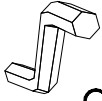
2

6,4 x 50mm



B

4



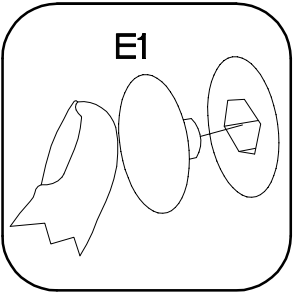
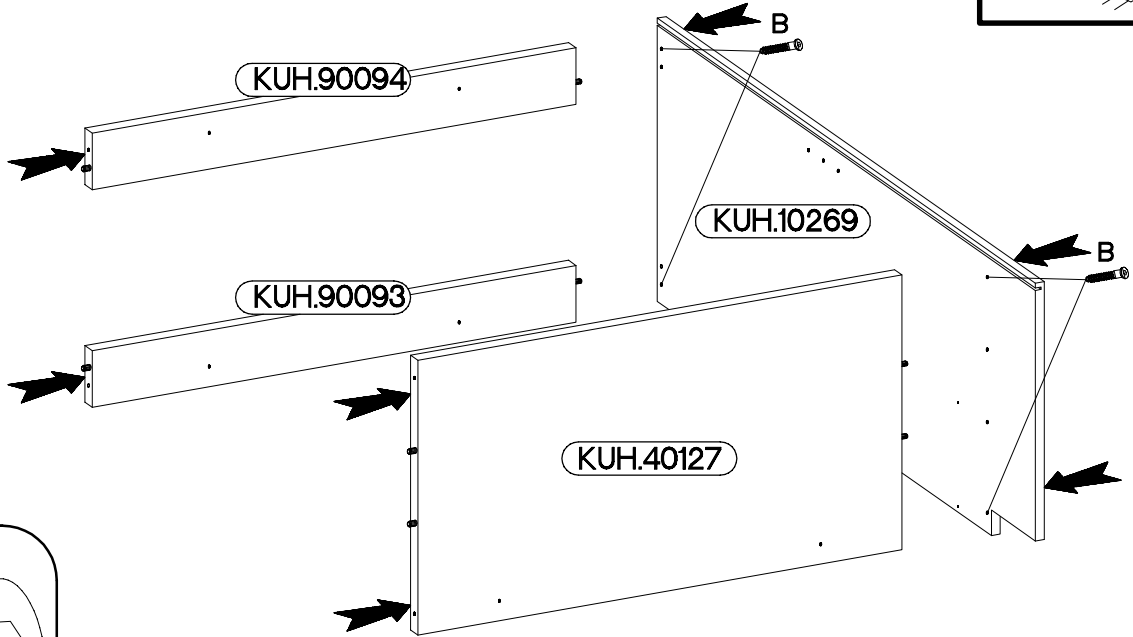
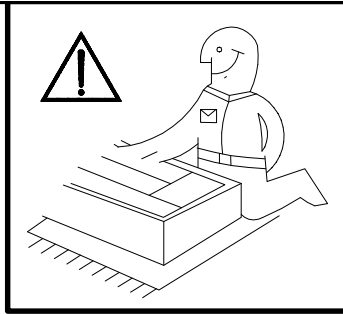
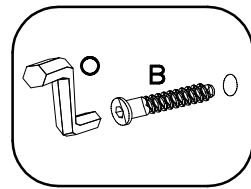
O

1



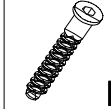
E1

4



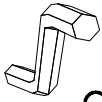
3

6,4 x 50mm



B

4



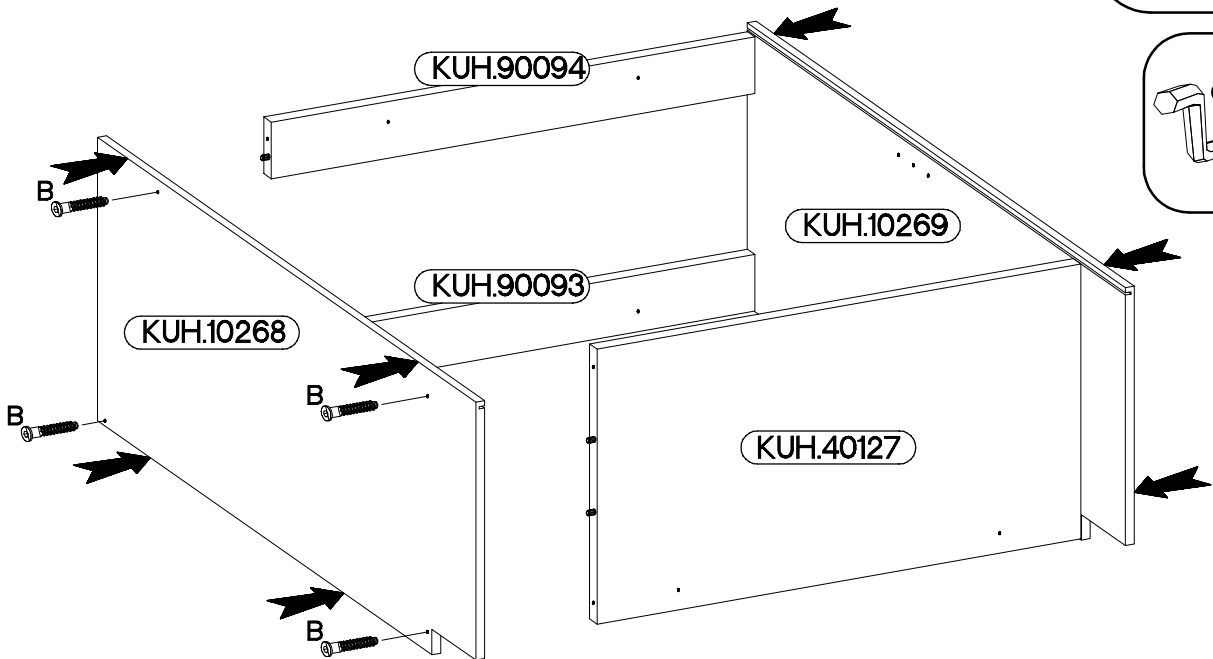
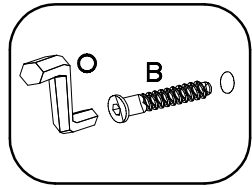
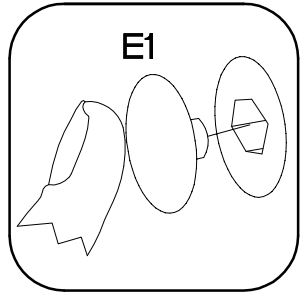
O

1



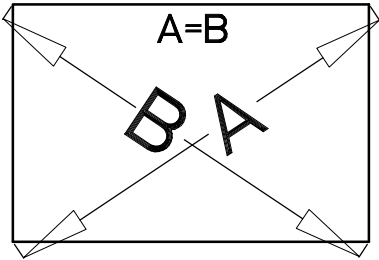
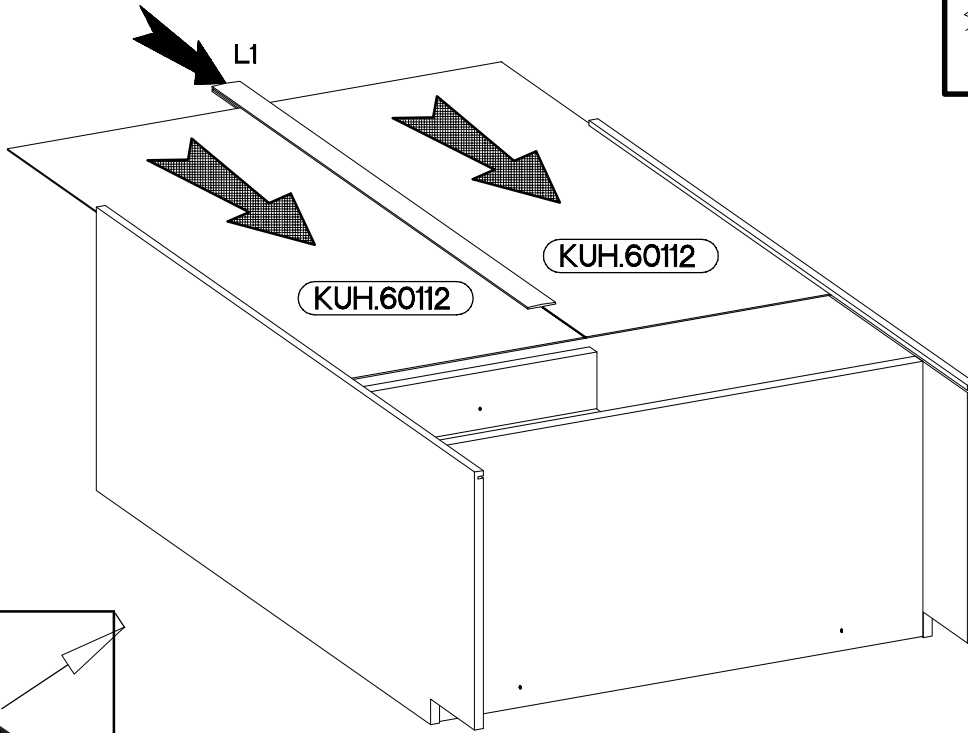
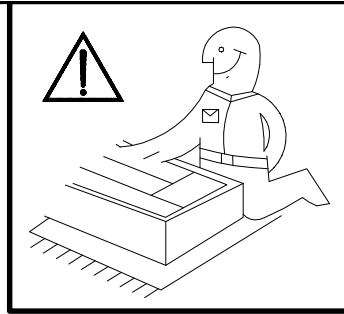
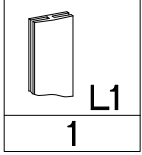
E1

4



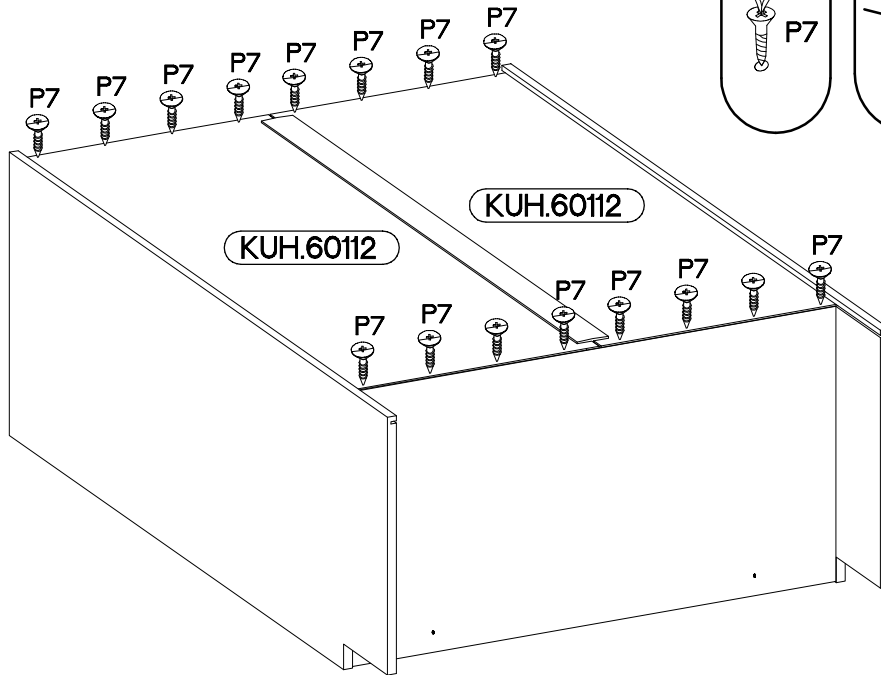
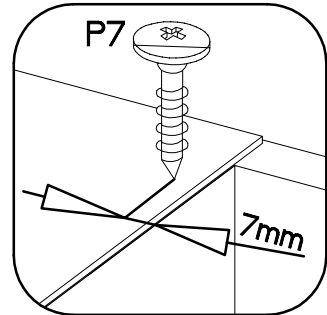
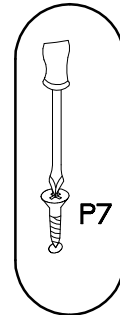
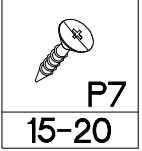
4

L1=680mm





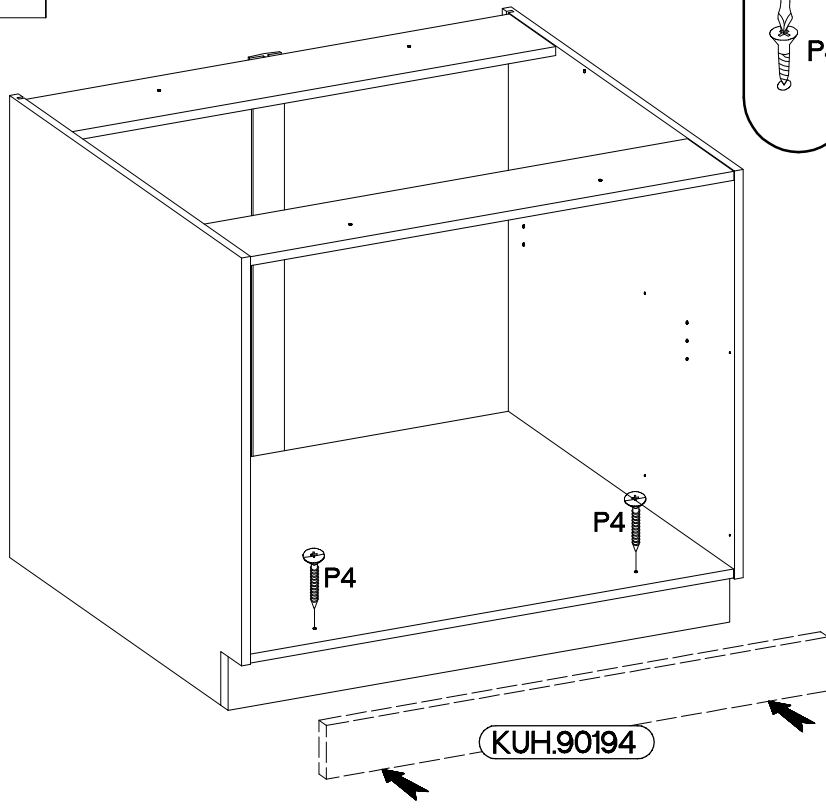
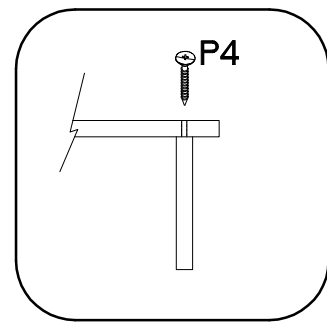
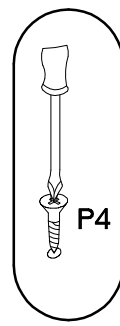
5

3.0x20mm

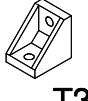


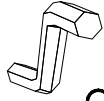


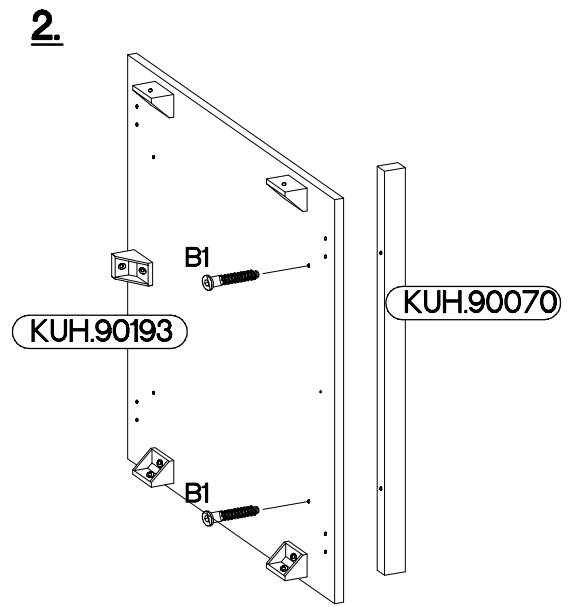
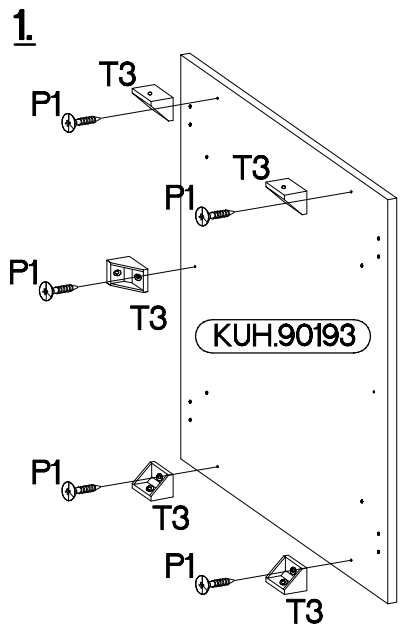
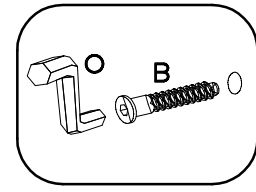
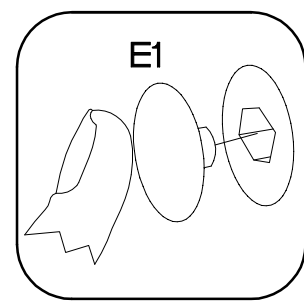
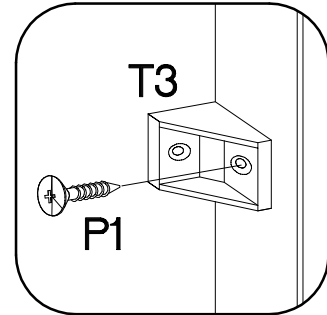
6

$\pm 4.0 \times 45 \text{mm}$  P4 2	 E9 2
--	---



7

 T3 5	$\pm 4.0 \times 16 \text{mm}$  P1 5	$\pm 6.4 \times 35 \text{mm}$  B1 2	 O 1
--	---	---	---



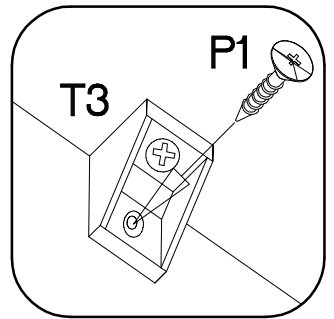
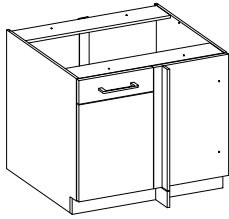
8

4.0x16mm



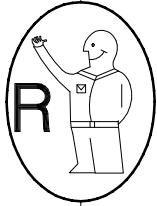
P1

5

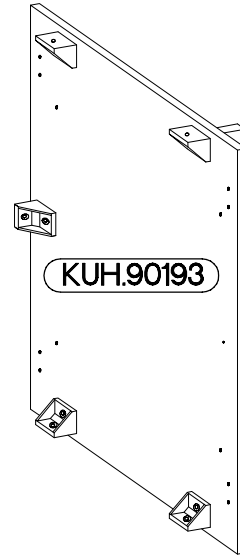
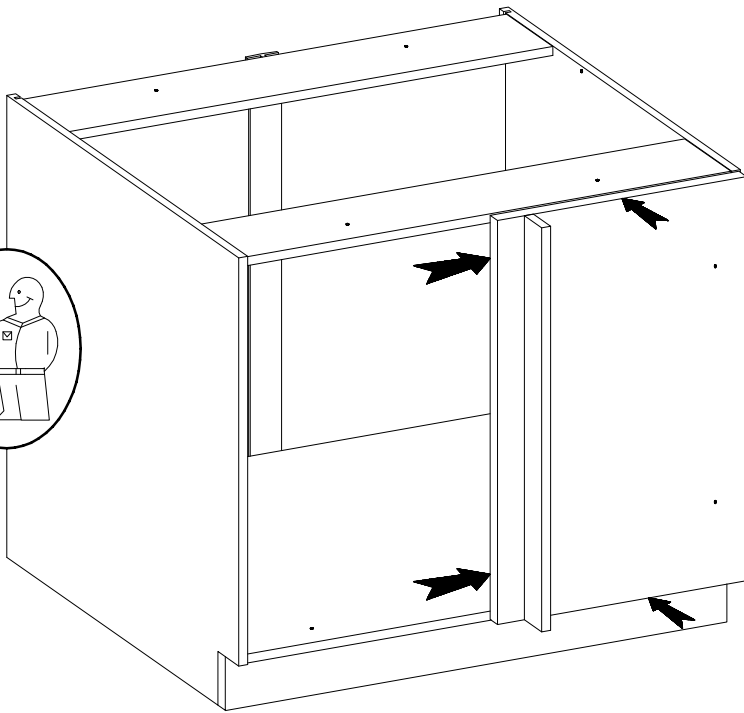


P1

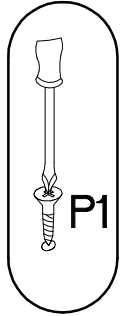
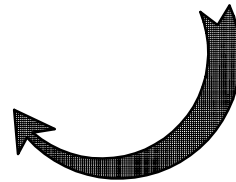
T3



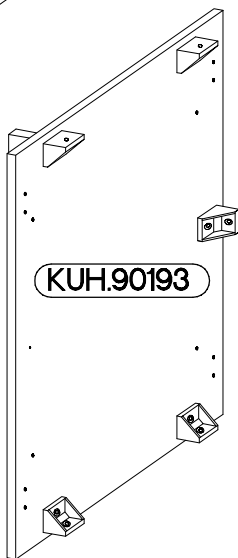
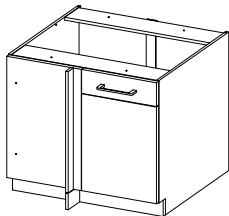
R



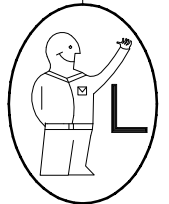
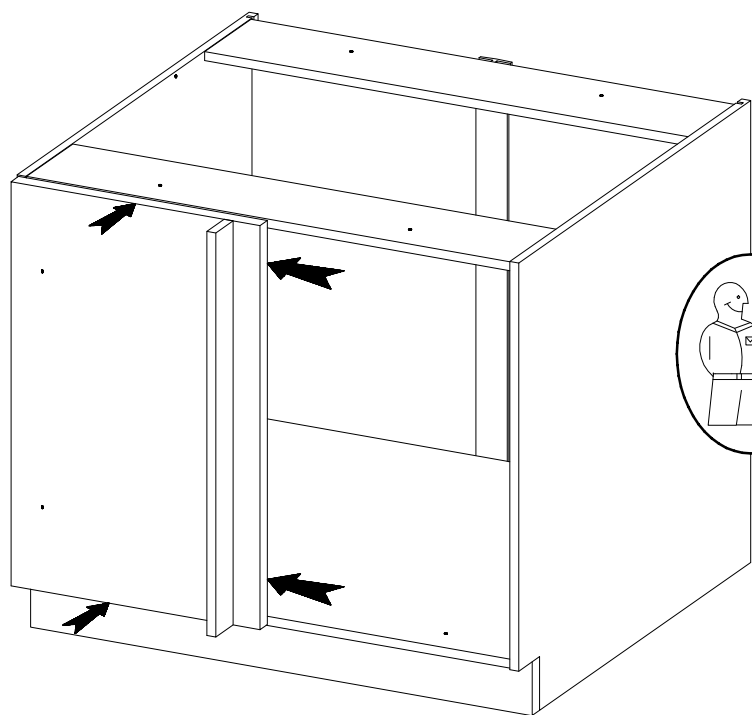
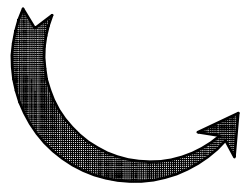
KUH.90193



P1



KUH.90193

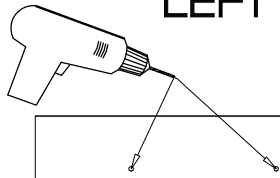


L

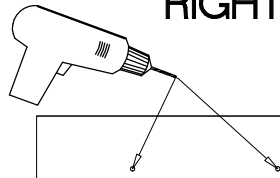
9

LEFT

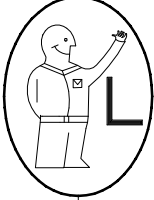
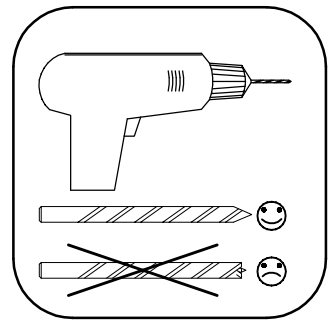
RIGHT



KUH.70633



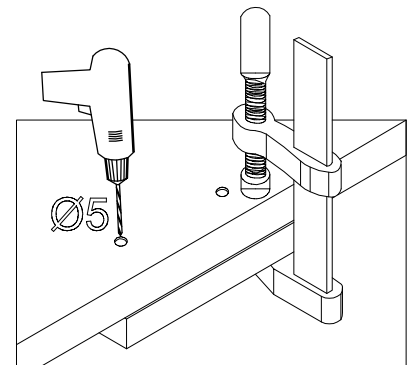
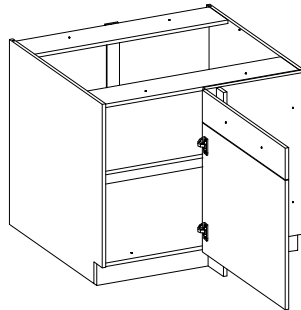
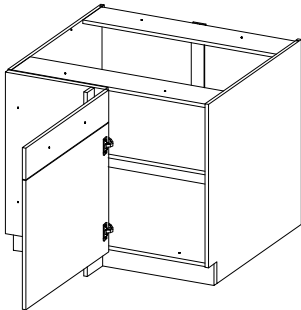
KUH.70633



KUH.70632



KUH.70632

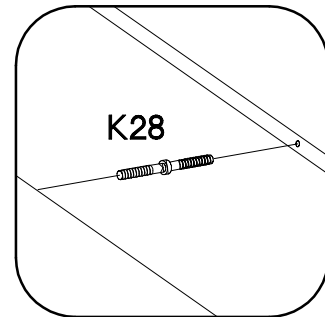
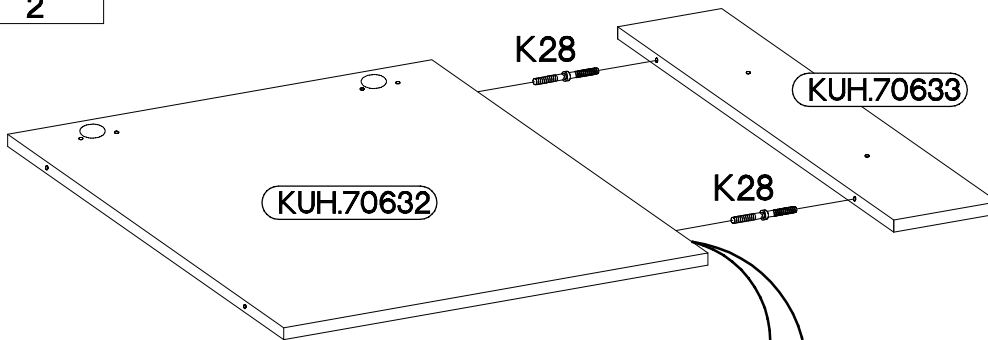


10

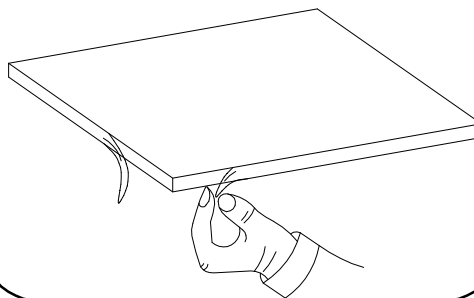


K28

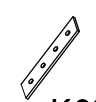

2

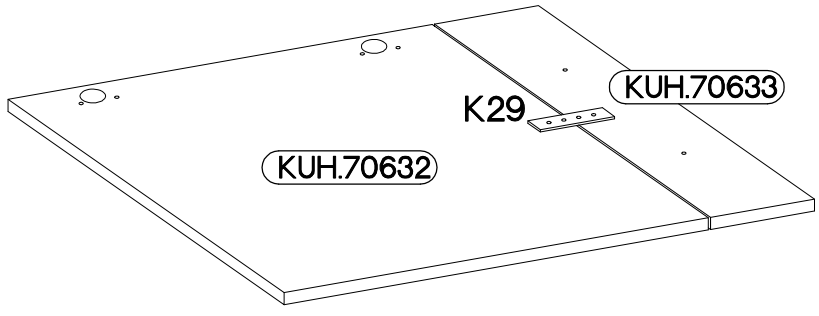
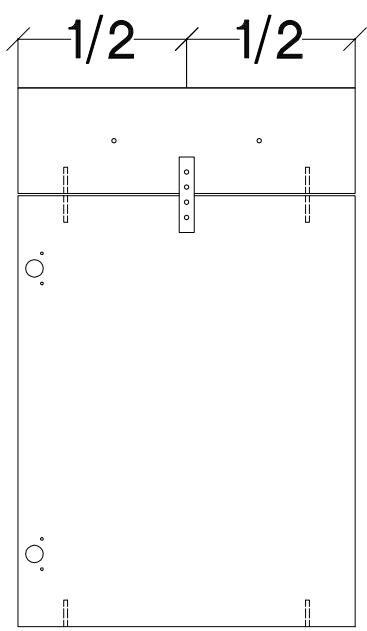
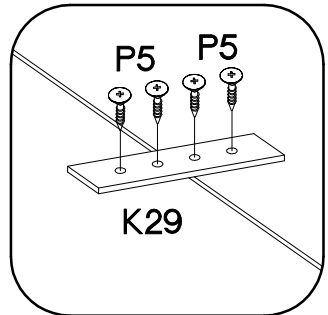
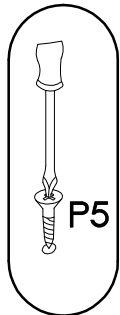


VARIANT HIGH GLOSS





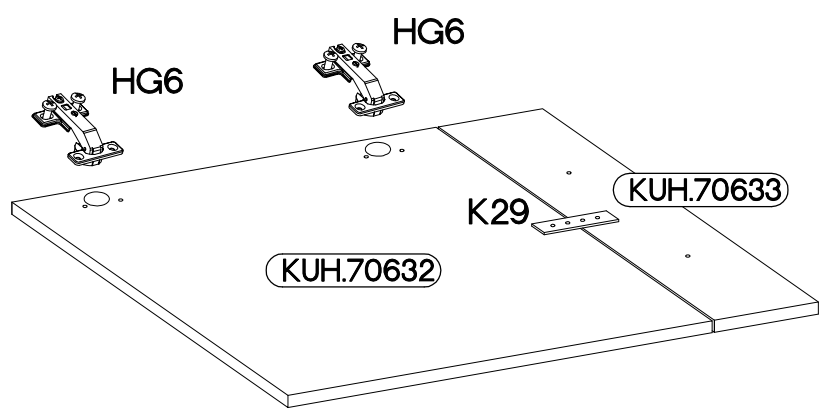
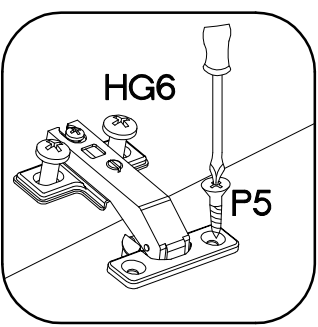
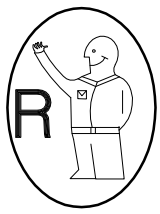
11

	$\pm 3.5 \times 13 \text{mm}$ 
K29	P5
1	4

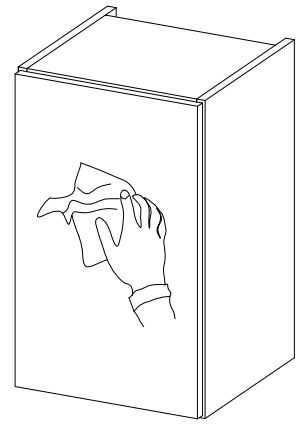
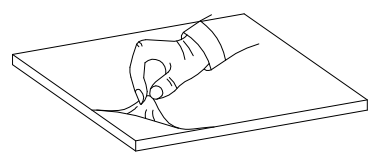
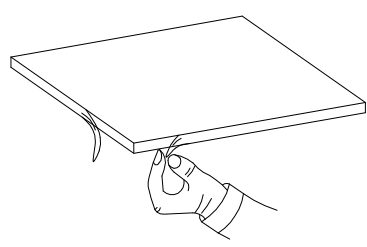


12

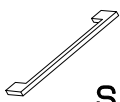

$\pm 35/90^\circ$ 	$\pm 3.5 \times 13 \text{mm}$ 
HG6	P5
2	4

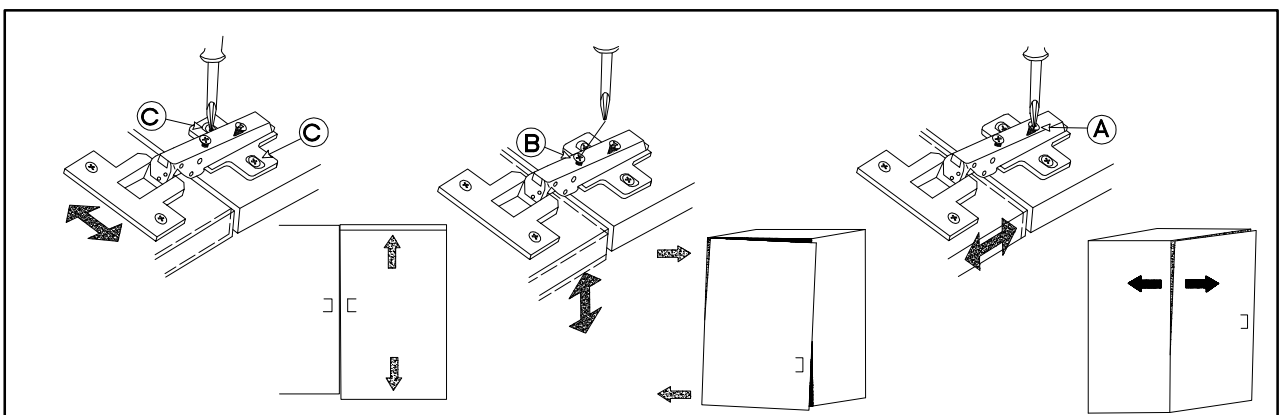
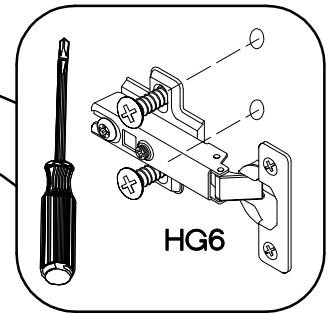
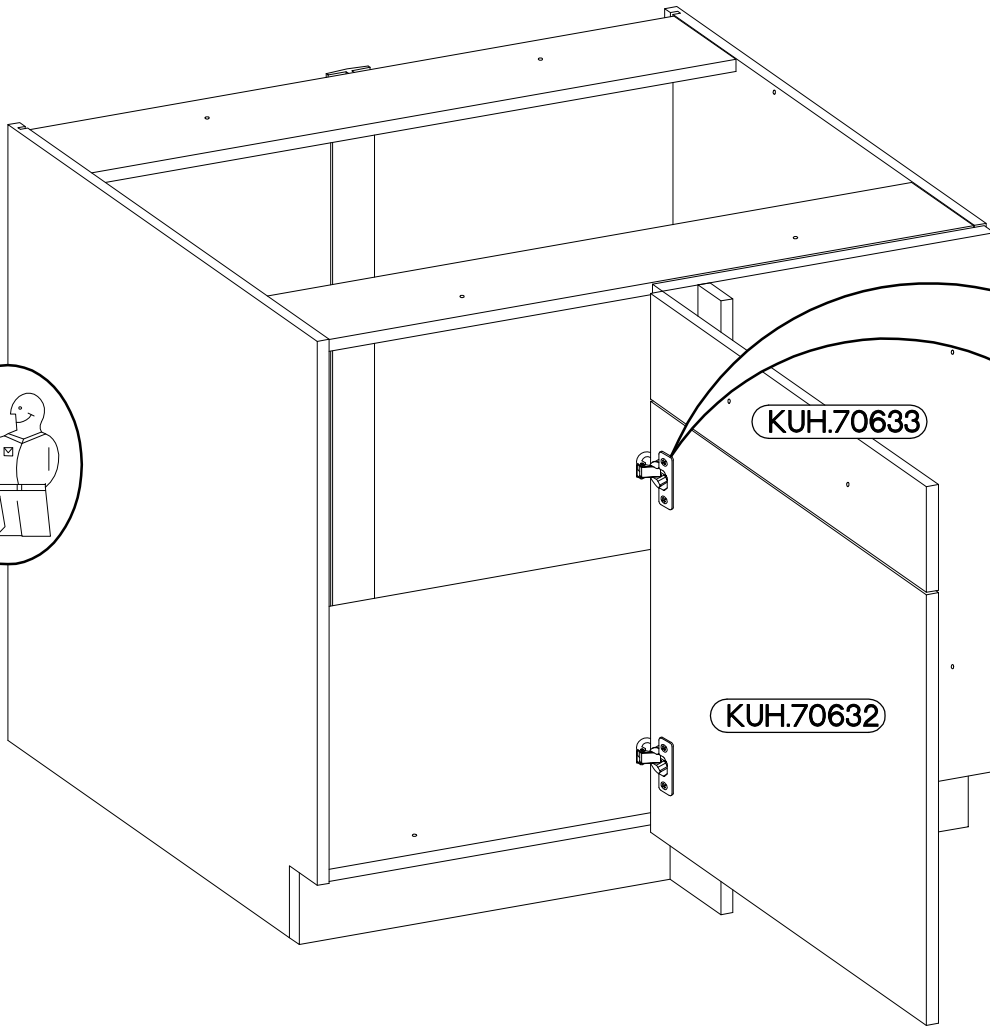
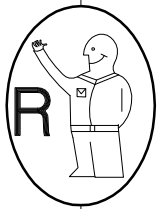
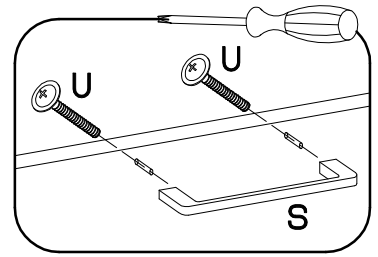


VARIANT HIGH GLOSS




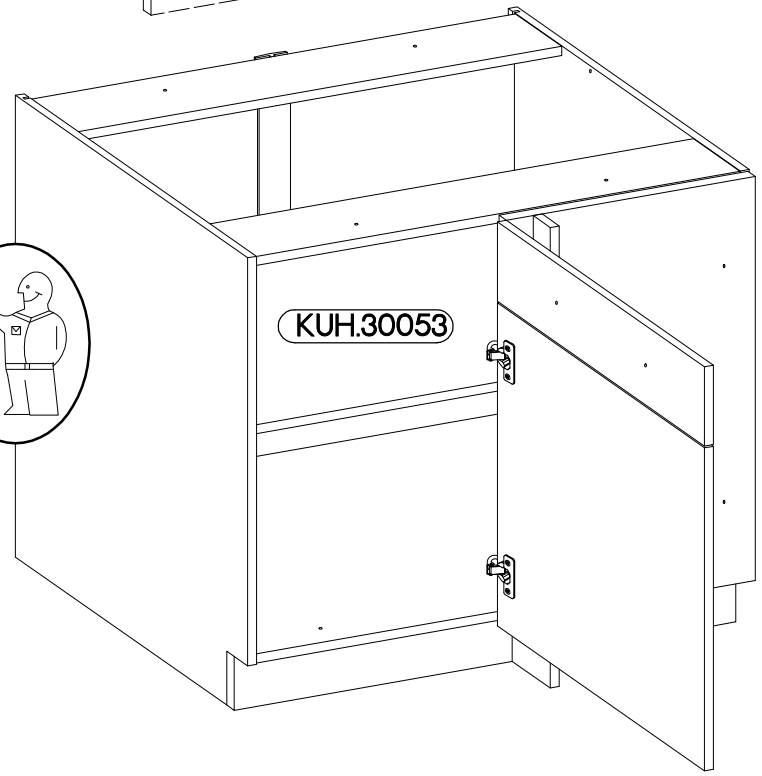
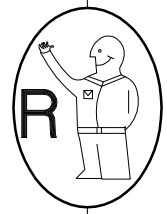
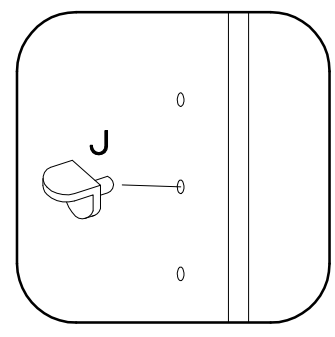
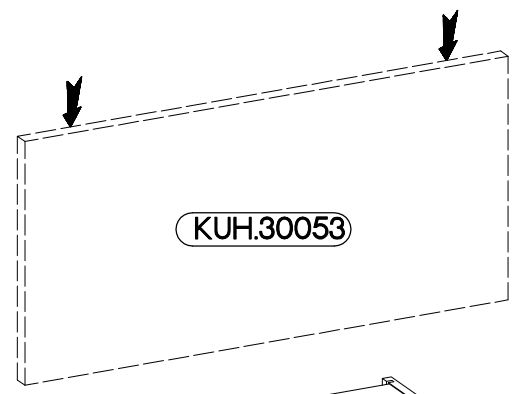


L=192mm	M4x22mm
	
S	U
1	2




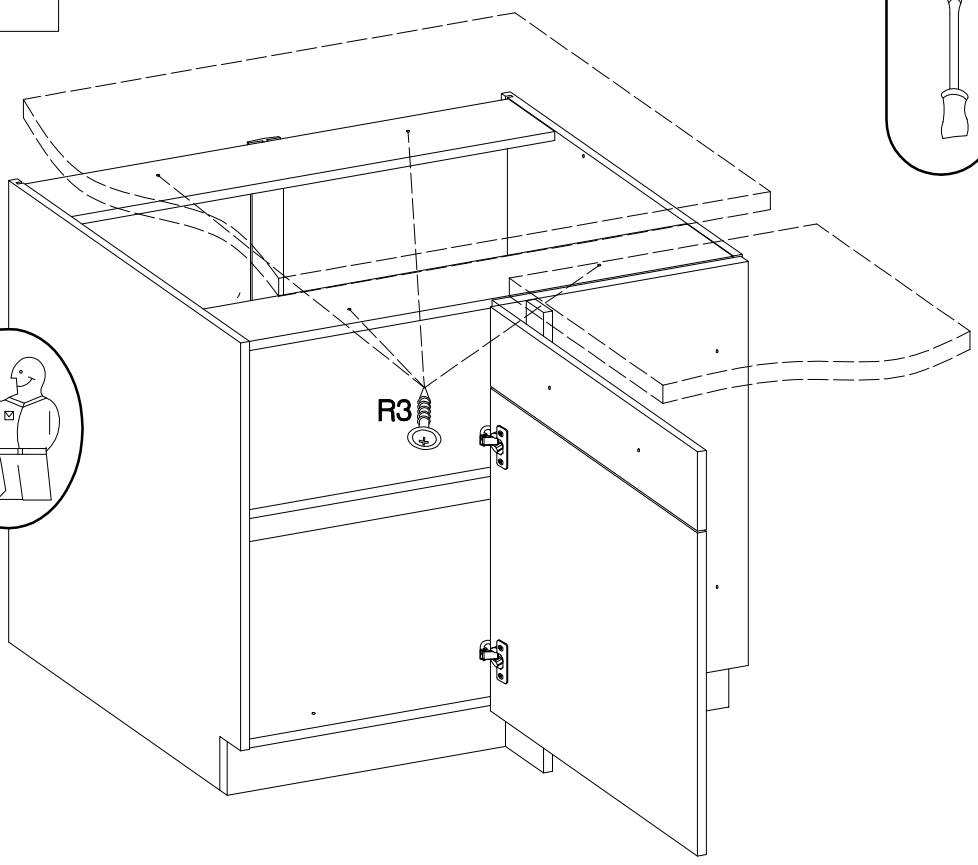
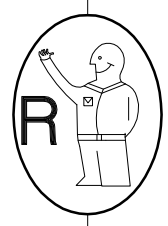
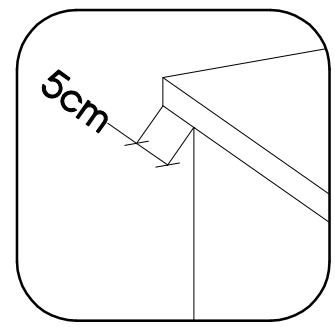
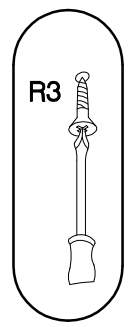
14



±5/19mm  
  
 J  
 4

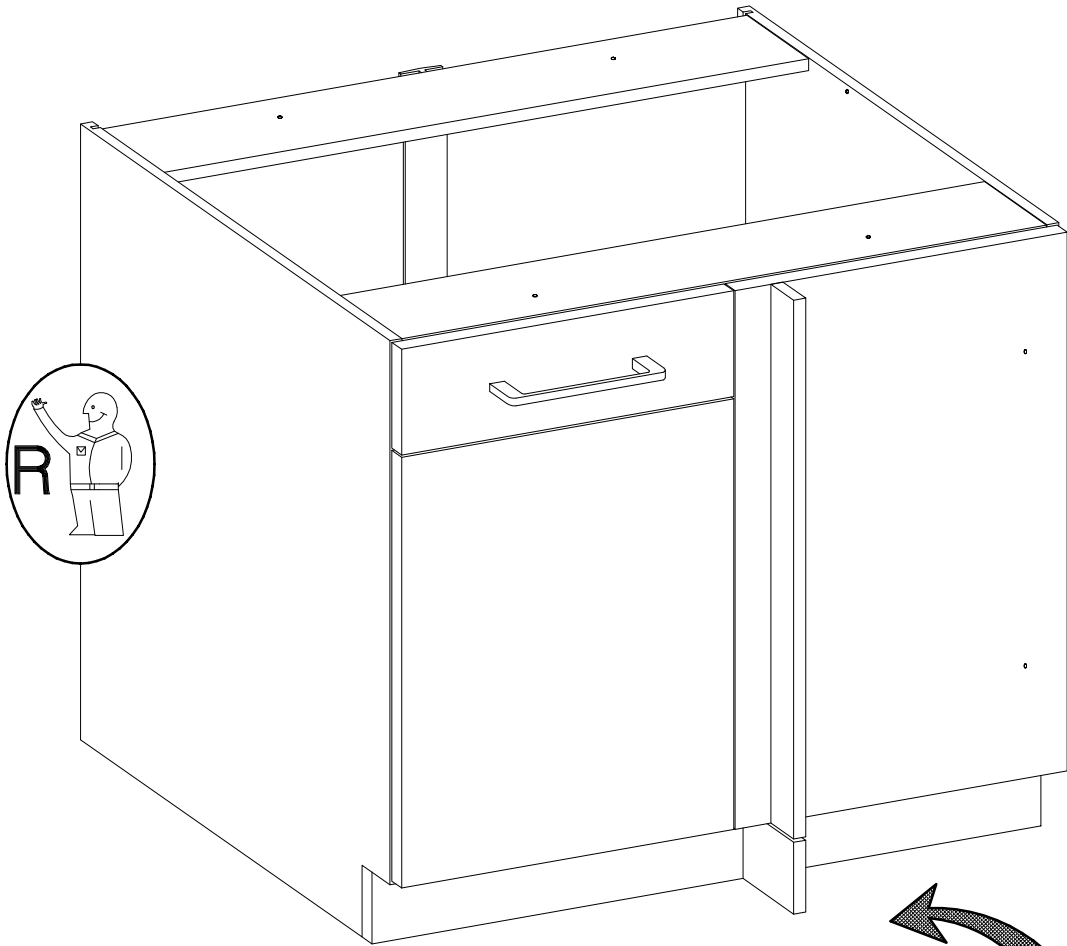
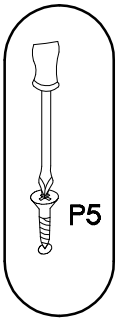


15

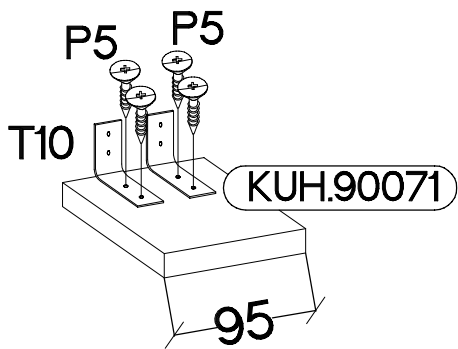
±4.0x35mm  
  
 R3  
 4



	$\pm 3.5 \times 13 \text{mm}$ 
T10 2	P5 8



1.



2.

